

## WiFi & RF AC Triac Dimmer

Model No.: S01-B(WiFi)

Tuya APP cloud control/Voice control/RF dimming/Push Dim/Leading edge or trailing edge/Wall junction box mounting

### Features

- WiFi + RF + Push AC phase-cut dimmer, 1 channel output.
- To dim and switch single color dimmable LED lamps, traditional incandescent and halogen lights.
- Tuya APP cloud control, support on/off, brightness adjust, delay turn on/off light, timer run, scene and music play function.
- Voice control, support amazon ECHO and TmallGenie smart speaker.
- 256 levels 0-100% dimming smoothly without any flash.
- Leading edge dimming or trailing edge dimming set by dip switch.
- Min brightness can be set by key.
- Compatibility with RF 2.4G single zone or multiple zone dimming remote control.
- Each S1-B(WT) controller can also work as WiFi+RF converter, then use Tuya APP to control one or more RF dimming LED controller or driver synchronously.
- Connect with external push switch to achieve on/off and 0-100% dimming function.
- Easy to be placed in standard wall junction box behind a push switch.
- Over-heat / Over-load protection, recover automatically.



CE RoHS LVD

### Technical Parameters

Input and Output	
Input voltage	AC100-240V
Output voltage	AC100-240V
Output current	Max 1.5A
Output power	150-360W

Safety and EMC	
EMC standard (EMC)	EN 55015:2013
	EN 61547:2009
	EN 61000-3-2:2014 EN 61000-3-3:2013
Safety standard(LVD)	EN 61347-2-11:2002
	EN 61347-1:2015
	EN 62493:2015
Certification	CE,EMC,LVD

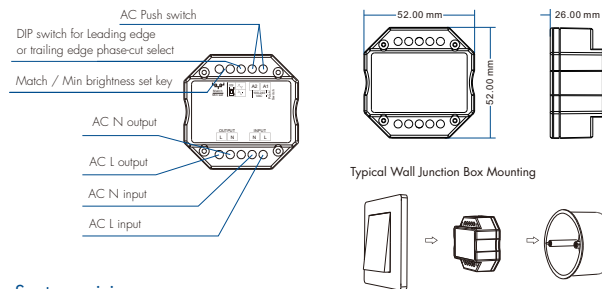
Dimming data	
Input signal	Tuya APP + RF + Push Dim
RF Control distance	30m
Dimming level	256 levels
Dimming range	0-100%

Environment	
Operation temperature	Ta: -30℃ ~ +55℃
Case temperature (Max.)	Tc: +85℃
IP rating	IP20

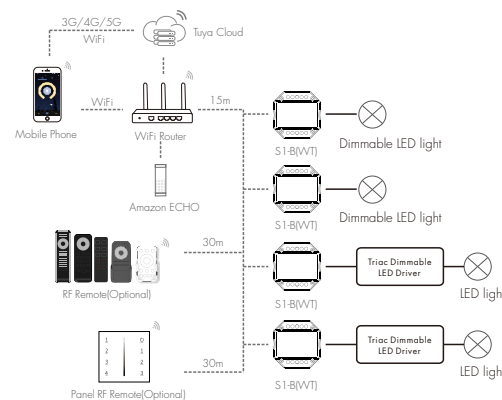
Warranty	
Warranty	5 years

Weight	Net weight	Gross weight
	Weight unit(g)	0.048kg

### Mechanical Structures and Installations



### System wiring



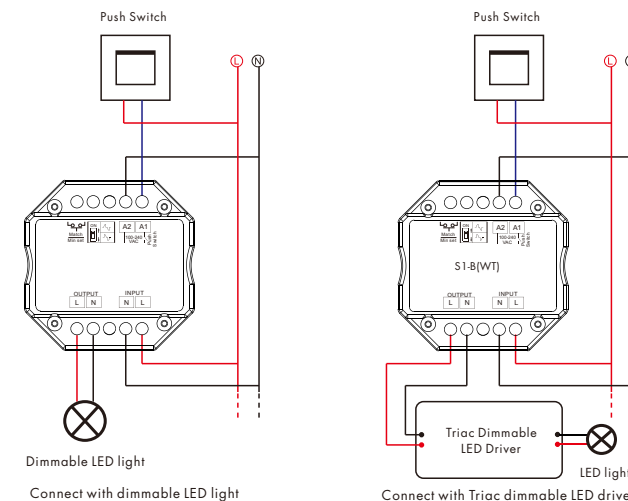
— Wired connection  
 ..... Wireless connection

Note:

1. The above distance is measured in spacious (no obstacle) environment, Please refer to the actual test distance before installation.
2. Please check if the WiFi router net in 2.4G band, the 5G band is not available, and do not hide your router network.
3. Please keep the distance between S1-B(WT) devices and router close, and check the WiFi signals.

### Wiring diagram

**Caution:** Please carefully ensure all wire connections and polarities are correct and secure before applying power, otherwise this controller will be damaged.



**Note:** When calculating the maximum number of load lamps or drivers, the input power or input current parameters of a single lamp or driver must be used, the output power parameters can not be used. In addition, the maximum surge current of the dimmer is 65A, the sum of surge current of multiple dimmable LED drivers should not exceed 2 times. otherwise, the product will be overloaded and damaged.

### Compatible Load Types

Load Type	Maximum Load	Remarks
Dimmable LED lamps	200W @ 220V 100W @ 110V	Due to variety of LED lamp designs, maximum number of LED lamps is further dependent on power factor result when connected to dimmer.
Triac Dimmable LED drivers	200W @ 220V 100W @ 110V	Maximum permitted number of drivers is 200W divided by driver nameplate power rating, and make sure the surge current is no more than 2 times 65A.
Incandescent lighting, HV Halogen lamps	400W @ 220V 200W @ 110V	