

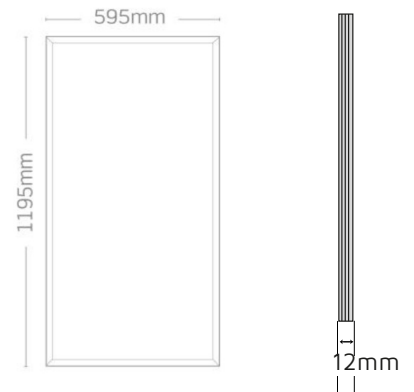
60W LED PANEL FLICKER FREE Mitsubishi PMMA LGP



- **A perfect light output**
 - High CRI to working and office areas
 - High efficiency per Watt
- **Stimated lifespan of 17 years**
 - Up to 80% savings from traditional lighting sources
 - Easy to install and use
- **Recessed, surface and suspension installation available**
 - Dimmable drivers available
 - Choose your light temperature to fit your environment

TECHNICAL DESCRIPTION

LED Power	60W
System Power	60W
Input Voltage	100-240v / 50-60Hz
Light Output	6180lm
(106lm/w)	3000-4000K 
CCT	
Life Span	50.000h (long duration L ₈₀ B ₁₀)
CRI	>90
PFC	>0.9
Beam Angle	120°
UGR	<19
Casing Color	White, silver
Dimmable	In option
Dimensions	1195x595x12mm
Cable Length	0,25m
Weight	4.75kg (1PCS in box)
Certificates	ETL, TUV GS, CB, FCC, TUV CE, EN 60598-2, PSE, ROHS
Warranty	5 years
IP	40
IK	08
UV/IR	None
T working range	-15°C /+45°C
LGP material	PMAA (Mitsubishi Japan)
LED Technology	Epistar (Taiwan ORIGINAL)



EPISTAR

ACCESORIES (Sell separatly)

- **Drivers(LIFUD)**
- Standard non flicker driver (included)
- Dimmable driver (ASK REFERENCE)
- DALI Dimmable (ASK REFERENCE)
- 0-10v Dimmable (ASK REFERENCE)
- **Installation**
- Recessed installation (Suspension cables included)
- Fast connector included
- Suspension cables (ASK REFERENCE)
- Surface mounted kit (ASK REFERENCE)

027
kWh/annum

